

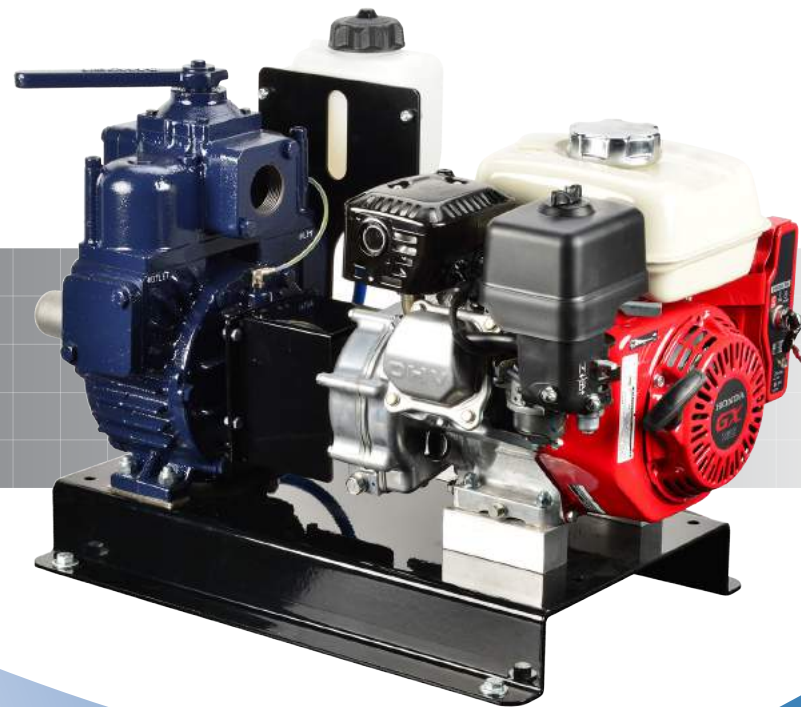
# Portable Sanitation Product Range

**MASPORT**  
VACUUM PUMP SYSTEMS

Masport have been manufacturing vacuum/pressure pumps and systems for over 100 years, so you can be sure of engineering excellence.

With a wide selection of pumps, systems and components specifically designed and engineered for the Portable Sanitation Market, we can ensure that we have your pumping needs covered.

All products are factory tested before shipping and are backed up by a one year warranty against all manufacturing defects. With Masport on board you have an efficient and reliable pump and system backed by the best service and support that has made Masport the #1 choice for pumpers worldwide.



BUILT FOR THE HARD WORKING PUMPER

# HXL2 Pump • 75CFM DISPLACEMENT



## Features and benefits

- ▶ Achieve minimum 27" Hg (Intermittent)
- ▶ Available in both vacuum/pressure or vacuum only models
- ▶ Heavy duty bearings
- ▶ Viton oil seals for longer service life
- ▶ Kevlar vanes are heat stabilized and machined with exacting tolerances for superior ruggedness and durability
- ▶ Superior pump life
- ▶ Mechanical oil pump with automatic oiling – no adjustment required
- ▶ Durable translucent high temperature oil lines – allows visible flow of oil to the pump
- ▶ End Thrust Protection prevents rotor to-endcover contact
- ▶ 1/4" NPT vane flush port
- ▶ Double end shaft accommodates clockwise or counter-clockwise drive systems
- ▶ Easy to service
- ▶ One-year performance warranty

# HXL3 Pump • 112CFM DISPLACEMENT



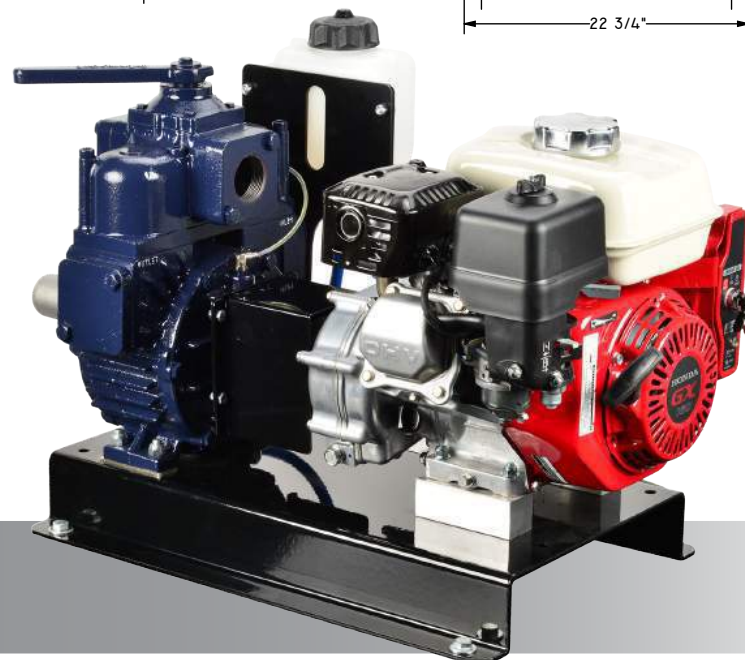
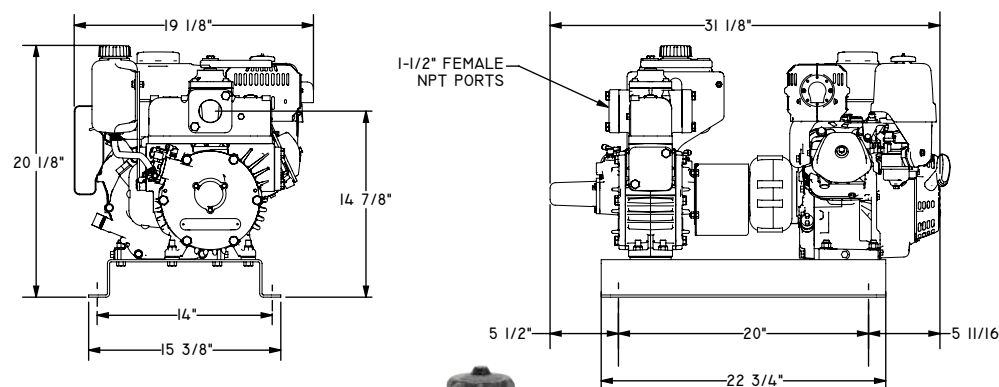
## Features and benefits

- ▶ Achieve minimum 27" Hg (Intermittent)
- ▶ Available in both vacuum/pressure or vacuum only models
- ▶ Heavy duty bearings
- ▶ Viton oil seals for longer service life
- ▶ Kevlar vanes are heat stabilized and machined with exacting tolerances for superior ruggedness and durability
- ▶ Superior pump life
- ▶ Mechanical oil pump with automatic oiling – no adjustment required
- ▶ Durable translucent high temperature oil lines – allows visible flow of oil to the pump
- ▶ End Thrust Protection prevents rotor to-endcover contact
- ▶ 1/4" NPT vane flush port
- ▶ Double end shaft accommodates clockwise or counter-clockwise drive systems
- ▶ Easy to service
- ▶ One-year performance warranty

## Pro Pack 750

### Engine Drive System

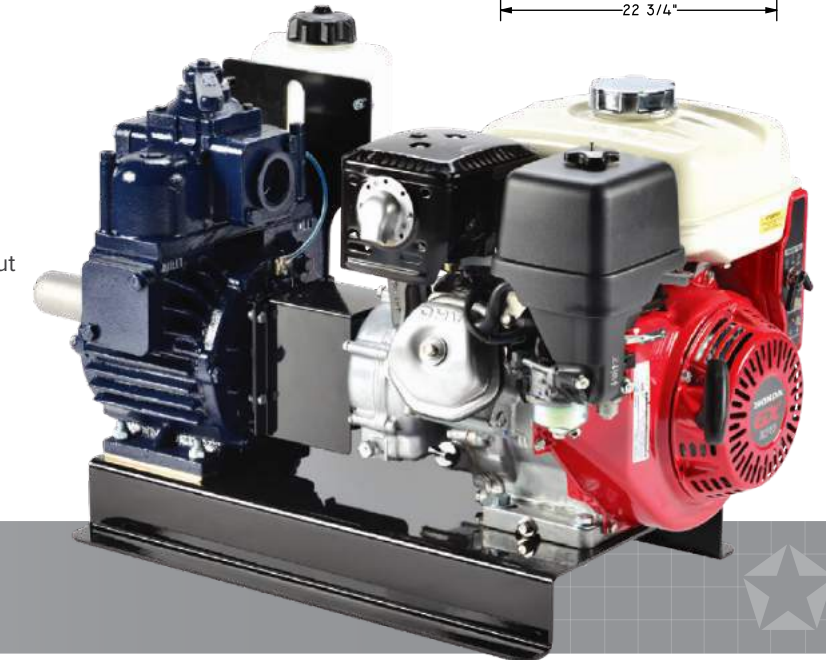
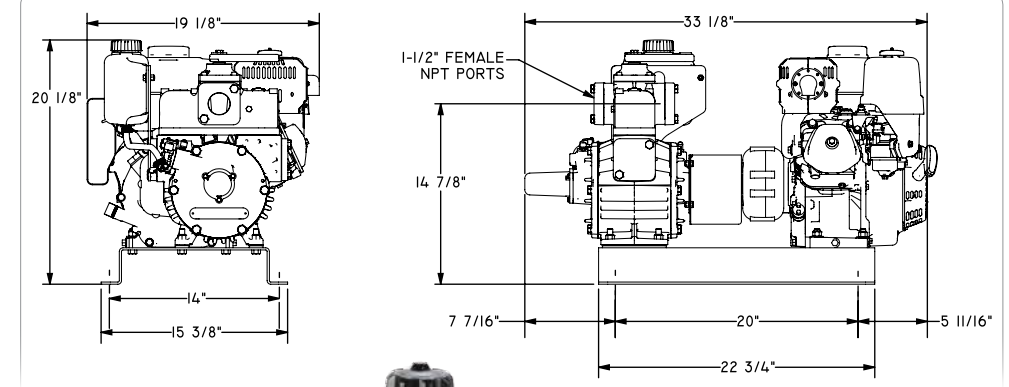
- ▶ Designed for tank sizes up to 750 Gallons
- ▶ Available in 5.5 Hp and 9 Hp Honda Engines
- ▶ 20" HG Continuous Duty
- ▶ 5–10 PSI Continuous Duty
- ▶ Electric Start
- ▶ 2:1 Direct Drive Gearbox – no belts to squeal, slip or replace
- ▶ Integrated Oil Reservoir
- ▶ Built-in centrifugal clutch – allows for better horsepower transfer and the engine to idle without having the pump running
- ▶ Available in both vacuum/pressure or vacuum only model
- ▶ One-year performance warranty



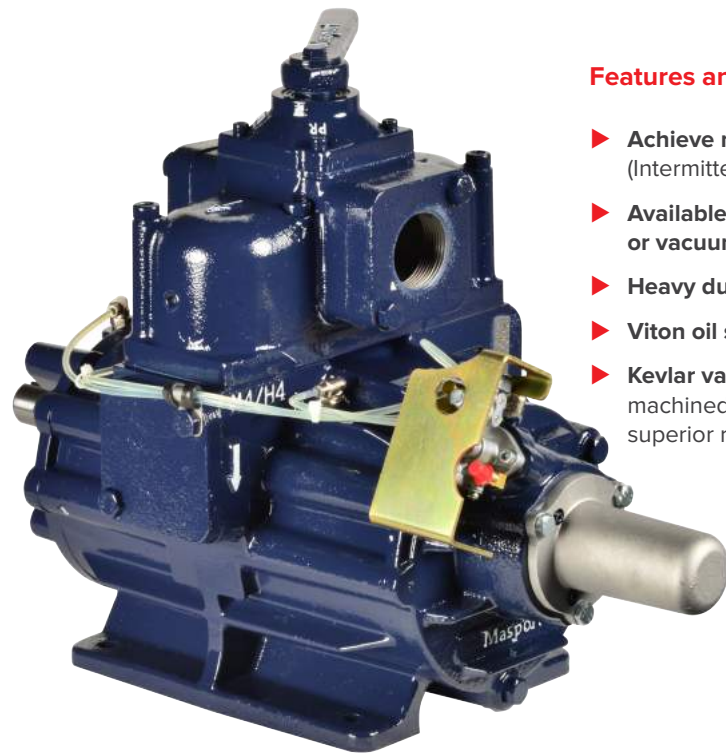
## Pro Pack 1000

### Engine Drive System

- ▶ Designed for tank sizes up to 1000 Gallons
- ▶ Made with a 9 Hp Honda Engine
- ▶ 20" HG Continuous Duty
- ▶ 10 PSI Continuous Duty
- ▶ Electric Start
- ▶ 2:1 Direct Drive Gearbox – no belts to squeal, slip or replace
- ▶ Integrated Oil Reservoir
- ▶ Built-in centrifugal clutch – allows for better horsepower transfer and the engine to idle without having the pump running
- ▶ Available in both vacuum/pressure or vacuum only model
- ▶ One-year performance warranty



# HXL4 Pump • 165 CFM DISPLACEMENT



## Features and benefits

- ▶ Achieve minimum 27" Hg (Intermittent)
- ▶ Available in both vacuum/pressure or vacuum only models
- ▶ Heavy duty bearings
- ▶ Viton oil seals for longer service life
- ▶ Kevlar vanes are heat stabilized and machined with exacting tolerances for superior ruggedness and durability
- ▶ Superior pump life
- ▶ Mechanical oil pump with automatic oiling – no adjustment required
- ▶ Durable translucent high temperature oil lines – allows visible flow of oil to the pump
- ▶ End Thrust Protection prevents rotor-to-endcover contact
- ▶ 1/4" NPT vane flush port
- ▶ Double end shaft accommodates clockwise or counter-clockwise drive systems
- ▶ O-Ring Endcovers eliminates air or oil leakages
- ▶ Easy to service
- ▶ One-year performance warranty

# HXL4V Plug & Play System



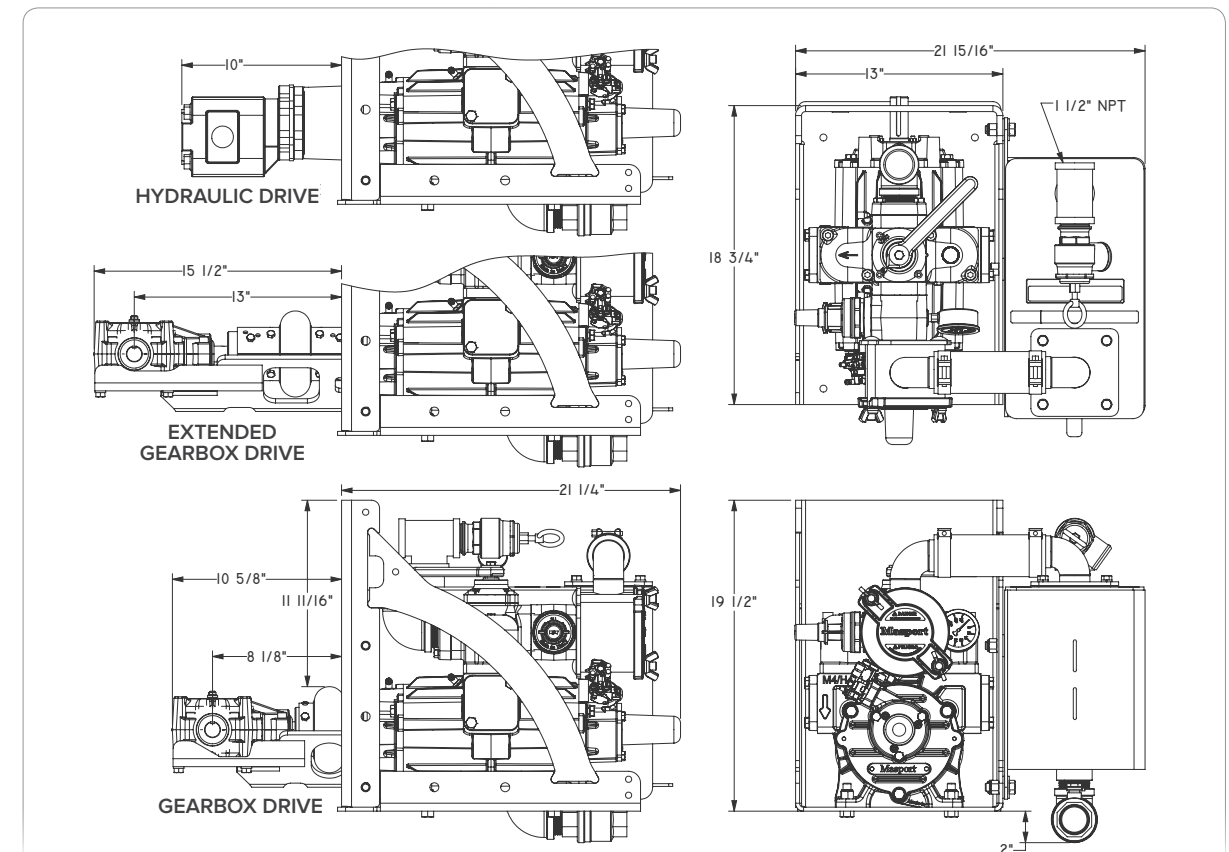
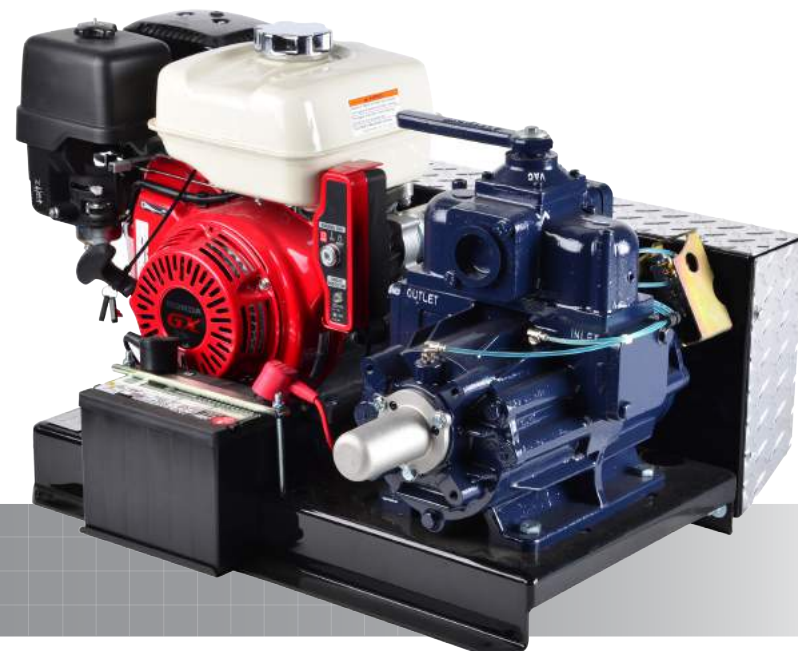
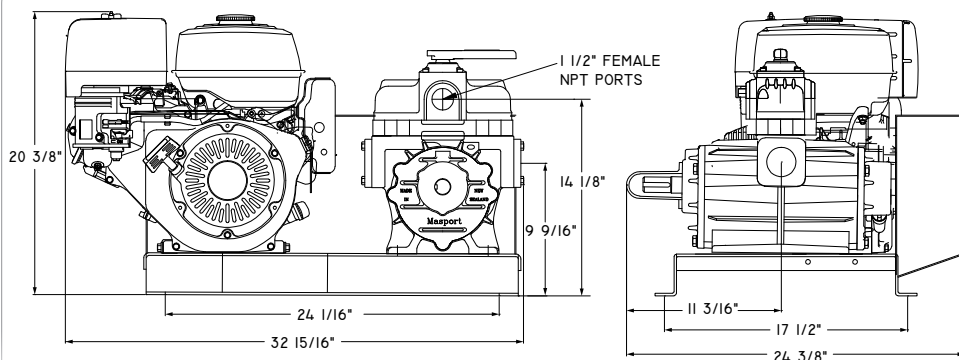
## Features and benefits

- ▶ 20" Hg continuous duty operation
- ▶ Heavy duty pump stand
- ▶ Compact high efficiency scrubber
- ▶ Stainless steel inlet filter
- ▶ Vacuum/pressure relief valve and gauge
- ▶ Self-aligning gearbox and hydraulic drive options available
- ▶ Optional extended self-aligning gearbox available – allows direct alignment to the PTO on all truck models
- ▶ Rexnord Omega Coupler on gearbox installations ensure greater life for both automatic and manual transmission
- ▶ Pump Stand cutout to allow emergency brake line to pass through unobstructed
- ▶ Easily accessible maintenance points
- ▶ Oil, chemical and heat resistant hoses and float seat
- ▶ Available with plastic, steel or combination oil/flushing reservoir
- ▶ Available with either a left or right handed scrubber
- ▶ One-year performance warranty

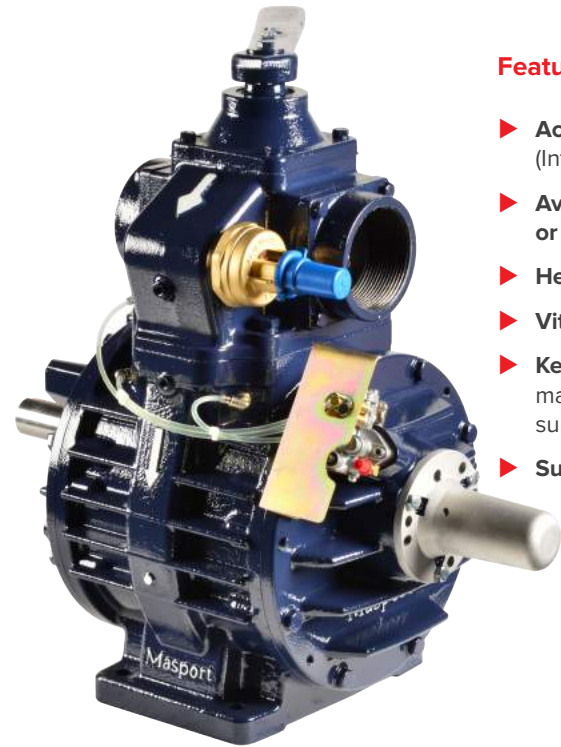
## Pro Pack 1500

### Engine Drive System

- ▶ Designed for tank sizes up to 1500 Gallons
- ▶ Made with a 9 Hp Honda Engine
- ▶ Available with 9 Hp Diesel Kubota Engine on request
- ▶ 20" HG Continuous Duty
- ▶ 5–15 PSI Continuous Duty
- ▶ Electric Start
- ▶ Integrated Belt Guard – fully enclosing all moving parts for safety
- ▶ Available in both vacuum/pressure or vacuum only model
- ▶ One-year performance warranty



# HXL75 Pump • 230 CFM DISPLACEMENT



## Features and benefits

- ▶ Achieve minimum 27" Hg (Intermittent)
- ▶ Available in both vacuum/pressure or vacuum only models
- ▶ Heavy duty bearings
- ▶ Viton oil seals for longer service life
- ▶ Kevlar vanes are heat stabilized and machined with exacting tolerances for superior ruggedness and durability
- ▶ Superior pump life
- ▶ Mechanical oil pump with automatic oiling – no adjustment required
- ▶ Durable translucent high temperature oil lines – allows visible flow of oil to the pump
- ▶ End Thrust Protection prevents rotor-to-endcover contact
- ▶ 1/4" NPT vane flush port
- ▶ Integral vacuum relief
- ▶ Double end shaft accommodates clockwise or counter-clockwise drive systems
- ▶ O-Ring Endcovers eliminates air or oil leakages
- ▶ Easy to service
- ▶ One-year performance warranty

# HXL75V Plug & Play System



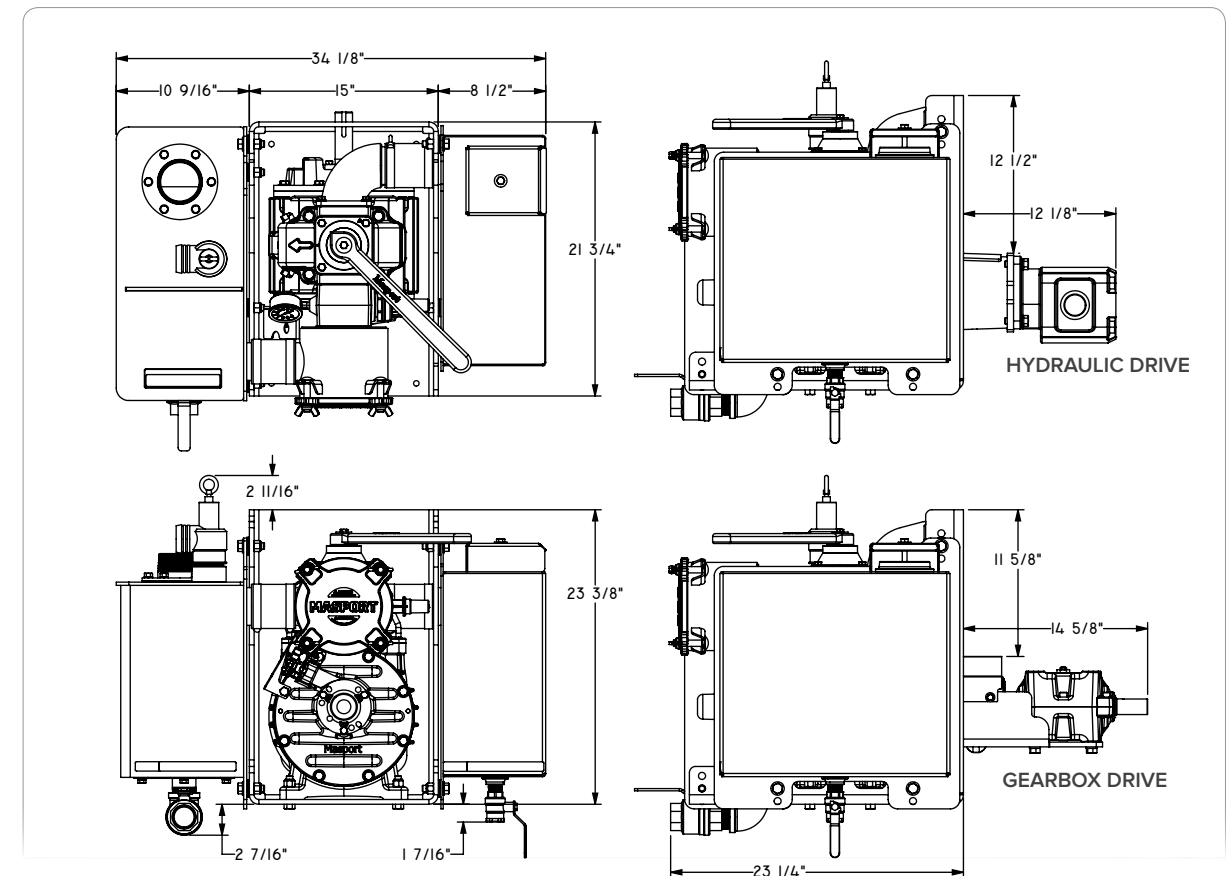
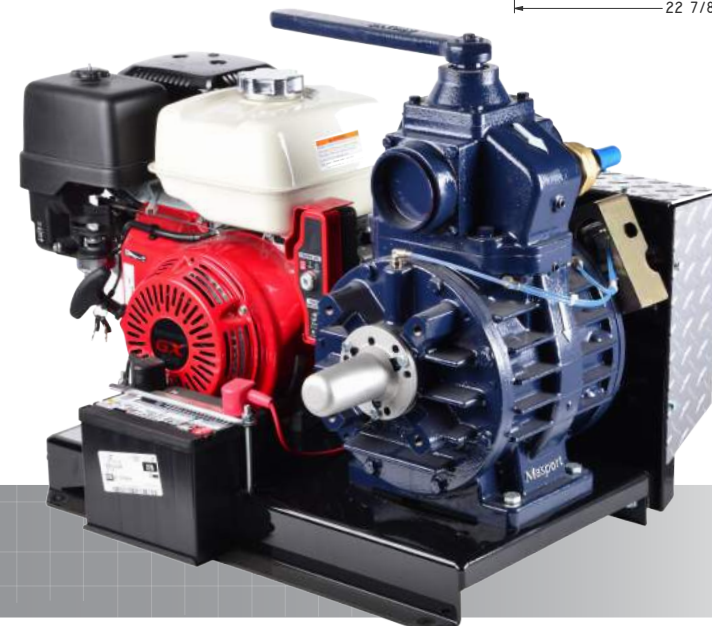
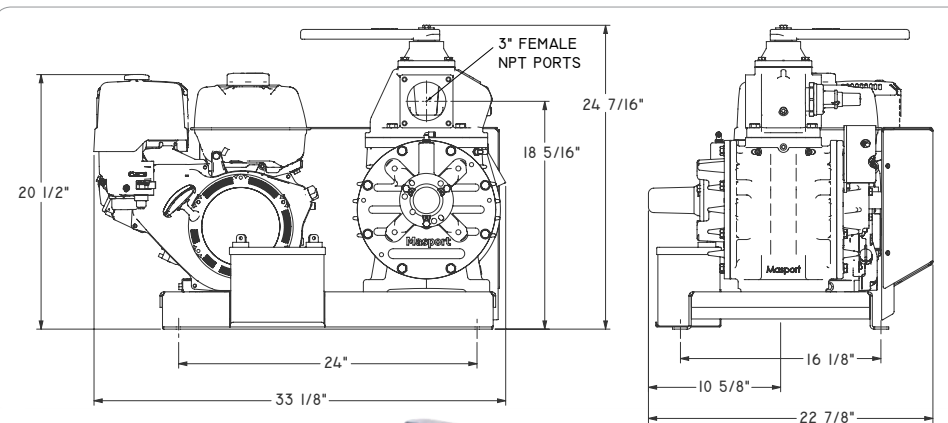
## Features and benefits

- ▶ 20" Hg continuous duty operation
- ▶ Heavy duty pump stand
- ▶ High efficiency oil separator and scrubber
- ▶ Stainless steel inlet filter
- ▶ Vacuum/pressure relief valve and gauge
- ▶ Self-aligning gearbox and hydraulic drive options available
- ▶ Rexnord Omega Coupler on gearbox installations allows for greater life with automatic transmission
- ▶ Easily accessible maintenance points
- ▶ Oil, chemical and heat resistant hoses and float seat
- ▶ Separator supplied with 3" NPT fitting and exhaust deflector
- ▶ Available with plastic, steel or combination oil/flushing reservoir
- ▶ Available with or without oil separator
- ▶ Available with either a left or right handed scrubber
- ▶ One-year performance warranty

## Pro Pack 2500

### Engine Drive System

- ▶ Designed for tank sizes up to 2500 Gallons
- ▶ Made with a 13 Hp Honda Engine
- ▶ Available with 19 Hp Diesel Kohler Engine on request
- ▶ 20" HG Continuous Duty
- ▶ 15 PSI Continuous Duty
- ▶ Electric Start
- ▶ Integrated Belt Guard – fully enclosing all moving parts for safety
- ▶ One-year performance warranty



# Masport Tank Components & Accessories

## 1 Primary Trap

- ▶ Available in a range of sizes to suit airflow from 20 – 400 CFM
- ▶ Port sizes in 1½" and 3"
- ▶ Steel Collar



## 9 Sight Glasses

- ▶ 5" Tempered Glass Design
- ▶ Steel collar



## 6 Relief Valves

- ▶ Vacuum Relief Valve 1½"
- ▶ Pressure Relief Valve 1½" and 2"



## 3 Oil Separator

- ▶ Available in a range of sizes to suit airflow from 20 – 400 CFM
- ▶ Port sizes in 1½", 2½" and 3"
- ▶ Steel or aluminium construction
- ▶ Painted or unpainted finish



## 2 Scrubber

- ▶ Available in a range of sizes to suit airflow from 20 – 400 CFM
- ▶ Port sizes in 1½", 2½" and 3"
- ▶ Horizontal and vertical designs
- ▶ Painted or unpainted finish



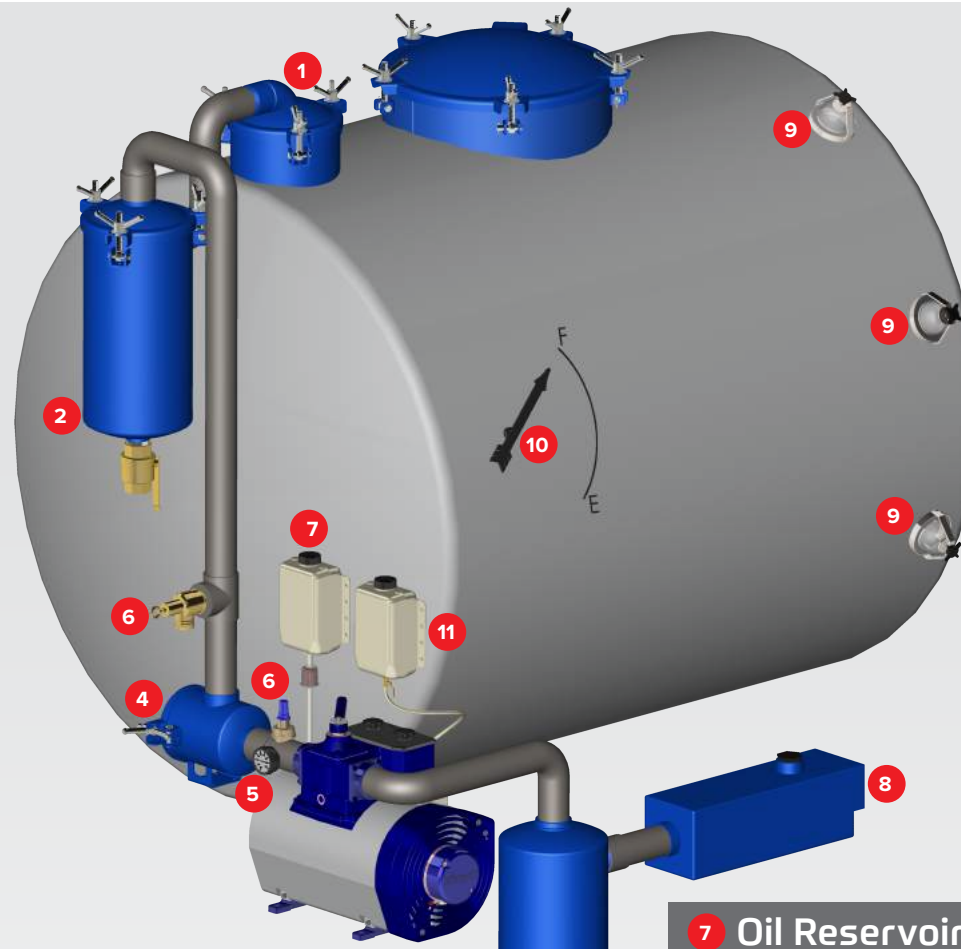
## 4 Pre-Filter

- ▶ Available in a range of sizes to suit airflow from 20 – 400 CFM
- ▶ Port sizes in 1½" and 3"
- ▶ Painted or unpainted finish



## 5 Vacuum/Pressure Gauges

- ▶ Available as either vacuum only or combined vacuum and pressure



## 7 Oil Reservoir

- ▶ Includes all components to properly oil the pump
- ▶ Select from either plastic or steel reservoir tanks
- ▶ Specially formulated Masport Oil available



## 8 Pumper Scent

- ▶ Effectively remove foul odors when pumping
- ▶ Port sizes in 1½", 2", 3" and 4"



## 10 Tank Level Indicator

- ▶ External indicator arrow
- ▶ Steel collar



## 11 Flushing Kit

- ▶ Includes all components to properly flush the pump
- ▶ Select from either plastic or steel reservoir tanks
- ▶ Specially formulated Masport Flushing Fluid available



# Product Information

## Pumps

PRODUCT OVERVIEW								
Pump Number	968140	968150	968235	968245	968435	968440	968685	968675
Pump Model	HXL2F	HXL2V	HXL3F	HXL3V	HXL4F	HXL4V	HXL75F	HXL75V
Pump RPM	1,250-1,750	1,250-1,750	1,250-1,750	1,250-1,750	1,100-1,400	1,100-1,400	1,100-1,250	1,100-1,250
Pump Max CFM	75	75	112	112	165	165	230	230
Rec. Tank Size (Gal.)	100-750	100-750	750-1000	750-1000	1000-1500	1000-1500	1500-2500	1500-2500
Vacuum (Continuous)	20	20	20	20	20	20	20	20
Pressure (Continuous)	N/A	15	N/A	15	N/A	20	N/A	20

## Pro Pack Engine Drive Systems

PRODUCT OVERVIEW									
System Number	12619	12621	12548	12626	12929	12628	12631	12630	12617
Pump Model	HXL2F	HXL2V	HXL2F	HXL2V	HXL3F	HXL3V	HXL4F	HXL4V	HXL75V
Pump RPM	1,750	1,750	1,750	1,750	1,750	1,750	1,250	1,250	1,100
Pump Max CFM	75	75	75	75	112	112	165	165	230
Rec. Tank Size (Gal.)	100-750	100-750	100-750	100-750	750-1000	750-1000	1000-1500	1000-1500	1500-2500
Vacuum (Continuous)	20	20	20	20	20	20	20	20	20
Pressure (Continuous)	N/A	5	N/A	10	N/A	10	N/A	15	15
Oil Reservoir	Integral	Integral	Integral	Integral	Integral	Integral	Remote	Remote	Remote

ENGINE FEATURES									
Engine HP	5.5	5.5	9	9	9	9	13	13	13
Clutch	YES	YES	YES	YES	YES	YES	NO	NO	NO
Battery Included	NO	NO	NO	NO	NO	NO	YES	YES	YES

## Plug & Play Systems

PRODUCT OVERVIEW						
System Number	12860	12862	12762	12763	12765	12768
Pump Model	HXL4V	HXL4V	HXL75V	HXL75V	HXL75V	HXL75V
Pump Max CFM	165	165	230	230	230	230
Rec. Tank Size (Gal.)	1000-1500	1000-1500	1500-2500	1500-2500	1500-2500	1500-2500
Vacuum (Continuous)	20	20	20	20	20	20
Pressure (Continuous)	20	20	20	20	20	20

SYSTEM FEATURES						
Configuration	Right Hand Scrubber	Left Hand Scrubber	Right Hand Scrubber	Left Hand Scrubber	Right Hand Scrubber	Left Hand Scrubber
Oil Separator Included	NO	NO	NO	NO	YES	YES

# Masport Plug & Play System Ordering

The Masport standardized part number format is designed to simplify the ordering process for our customers.

The format takes the following form:

**XXXXX A B**

The first five numbers (denoted by the X) represents the bare system number (i.e. no drive system or oil reservoir kit installed/included).

The first letter (denoted by A) represent the type of oil reservoir kit included; i.e. Plastic (**P**), Steel (**S**) or Dual (**D**).

The second letter (denoted by B) represent the type of drive assembly mounted onto the pump/system i.e. Clockwise Gearbox Drive (**CW**) or Counter-clockwise Gearbox Drive (**CCW**) or hydraulic drive (**H**) and so on.

For example:

An order for an HXL4V Plug & Play with a Plastic Oil Reservoir Kit and a Counter-clockwise Gearbox Drive would be:

**12860PCCW**

Referring to the Product Information tables on the facing page and the Part Code Identifier table on this page, the example **12860PCCW** is made up of the following:

**12860** Bare system number (from the Plug & Play Systems Table)

**P** Plastic Oil Reservoir Kit

**CCW** Counter-clockwise Gearbox Drive Assembly with Rexnord Coupler Installed on Pump/System.

Please note:

Customers do not have to order systems that contain all the elements. A bare system can be ordered as per the following examples:


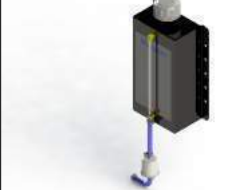





**12860** (HXL4V Plug & Play System),

or

**12860CCW** (a system with only a drive assembly),

or

**12860S** (a system with only a Steel Oil Reservoir Kit).

PART CODE IDENTIFIER	IMAGE	DESCRIPTION
<b>P</b>		<b>Plastic Oil Reservoir Kit</b> comes supplied with the Pump/System – to be installed by the purchaser
<b>S</b>		<b>Steel Oil Reservoir Kit</b> comes supplied with the Pump/System – to be installed by the purchaser
<b>D</b>		<b>Dual Tank Oil Reservoir / Flushing Kit</b> comes supplied with the Pump/System – to be installed by the purchaser
<b>CW</b>		<b>Clockwise Gearbox Drive Assembly with Rexnord Coupler</b> comes supplied and already installed on the Pump/System
<b>CCW</b>		<b>Counter-Clockwise Gearbox Drive Assembly with Rexnord Coupler</b> comes supplied and already installed on the Pump/System
<b>CW-X or CCW-X</b>		<b>Extended Gearbox Drive Assembly with Rexnord Coupler</b> comes supplied and already installed on the Pump/System – available in Clockwise or Counter Clockwise setups
<b>H</b>		<b>Hydraulic Drive Assembly</b> comes supplied and already installed on the Pump/System



# Portable Sanitation Pump Systems



**BUILT FOR THE HARD WORKING PUMPER**

**Masport Incorporated**  
6801 Cornhusker Highway, Lincoln, NE 68507, USA

**Phone: 800 228 4510**  
**Email: [cs@masportpump.com](mailto:cs@masportpump.com)**  
**[www.masportpump.com](http://www.masportpump.com)**